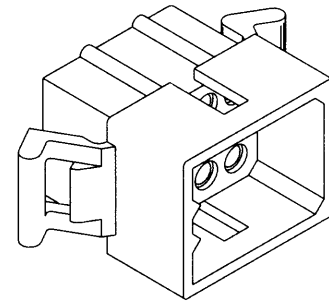


molex® 3.68mm (.145") Pitch .062" Pin and Socket Plug

Standard .062"



FEATURES AND SPECIFICATIONS

Features and Benefits

- Friction lock
- Panel and PCB mountable
- 1-piece strain relief available, 41316 series
- Polarized housing assures proper mating
- Male and female terminals may be used in plug housing

Reference Information

Packaging: Bag
 UL File No.: E29179
 CSA File No.: LR19980
 Mates With: Standard .062" receptacle and 41316 strain relief
 Designed In: Inches

Electrical

Voltage: 250V
 Current: 5.0A max.
 Dielectric Withstanding Voltage: 1500V AC rms

Mechanical

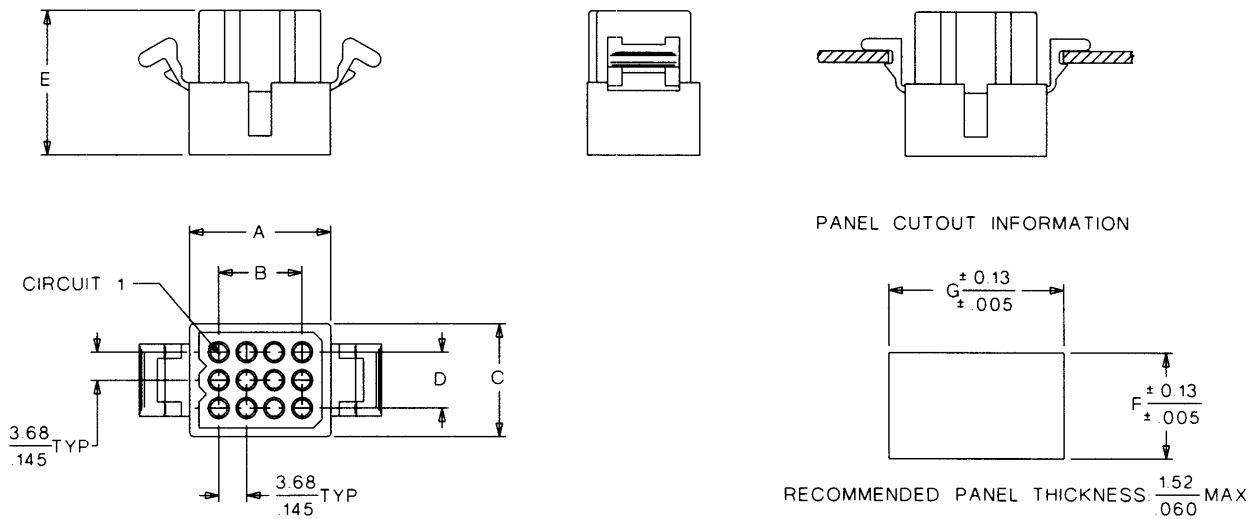
Contact Retention to Housing: 20 lb min.

Physical

Housing: Nylon, UL 94V-2
 Operating Temperature: -40 to +105°C

CATALOG DRAWING (FOR REFERENCE ONLY)

12 CIRCUIT SHOWN



ORDERING INFORMATION AND DIMENSIONS

Circuits	Series	Order No.		Amperes per Circuit	Dimension							
		Panel Mount	Free Hanging		A	B	C	D	E	F	G	
1	1625		• 03-06-2011	5	7.60 (.300)					19.10 (.750)		
2	1625	• 03-06-2024	• 03-06-2023	5	11.20 (.440)	3.68 (.145)	7.60 (.300)			19.80 (.780)	8.08 (.313)	15.47 (.609)
3	1625	• 03-06-2033	• 03-06-2032	5	15.00 (.590)	7.36 (.290)	7.60 (.300)			19.10 (.750)	8.08 (.313)	19.15 (.754)
4 (1 x 4)	1625	• 03-06-2041	• 03-06-2042	5	18.50 (.730)	11.04 (.435)	7.50 (.290)			19.10 (.750)	7.93 (.312)	21.97 (.865)
4 (2 x 2)	2004	• 03-06-2043	• 03-06-2044	5	11.20 (.440)	3.68 (.145)	11.20 (.440)	3.68 (.145)		19.60 (.770)	11.80 (.465)	15.62 (.615)
5	1625	• 03-06-2054	• 03-06-2055	5	22.60 (.890)	14.72 (.580)	7.90 (.310)			19.10 (.750)	8.08 (.318)	26.52 (1.044)
6	1625	• 03-06-2062	• 03-06-2061	5	11.40 (.450)	3.68 (.145)	15.20 (.600)	7.36 (.290)		19.10 (.750)	15.42 (.607)	15.62 (.615)
9	1625	• 03-06-2091	• 03-06-2092	5	15.00 (.590)	7.36 (.290)	15.00 (.590)	7.36 (.290)		19.00 (.750)	15.62 (.615)	19.10 (.752)
12	1625	• 03-06-2121	• 03-06-2122	5	18.80 (.740)	11.04 (.435)	15.00 (.590)	7.36 (.290)		19.10 (.750)	15.60 (.614)	22.94 (.903)
15	1625	• 03-06-2151	• 03-06-2152	5	22.10 (.870)	14.72 (.580)	15.00 (.590)	7.36 (.290)		19.00 (.750)	15.75 (.620)	26.21 (1.032)
24	1625	• 03-06-2241	• 03-06-2242	4	25.90 (1.020)	18.40 (.725)	18.80 (.740)	11.04 (.435)		19.10 (.750)	19.43 (.765)	30.02 (1.182)
*36	1772	• 03-06-2361	• 03-06-2362	4	20.30 (.800)	12.57 (.495)	41.20 (1.620)	33.53 (1.320)		19.10 (.750)	20.96 (.825)	45.49 (1.795)

• US Standard Product, available through Molex franchised distributors
 * 36-circuit plug is on a 4.19mm (.165") pitch